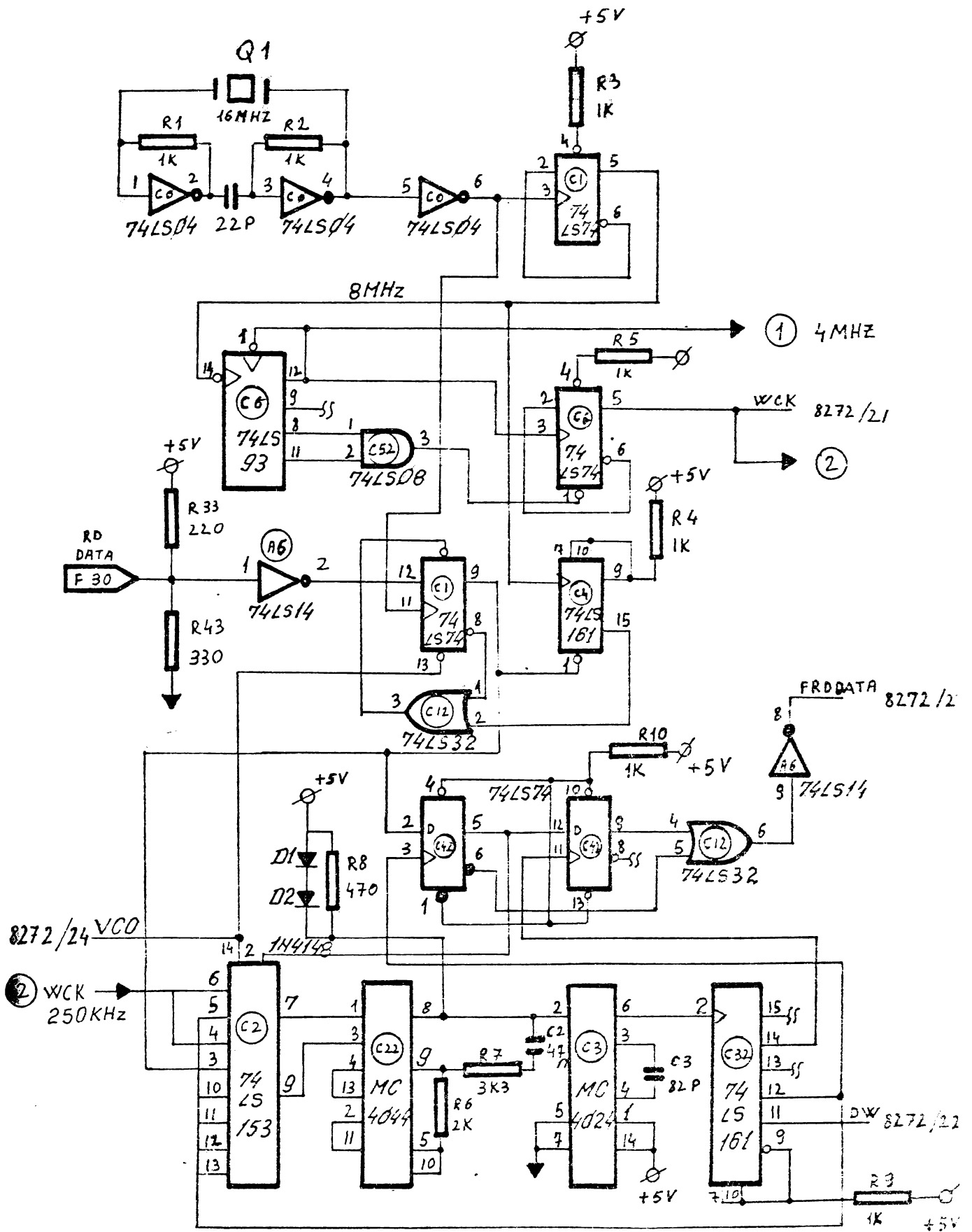


NOTA: F1-F34 conector disc flexibel

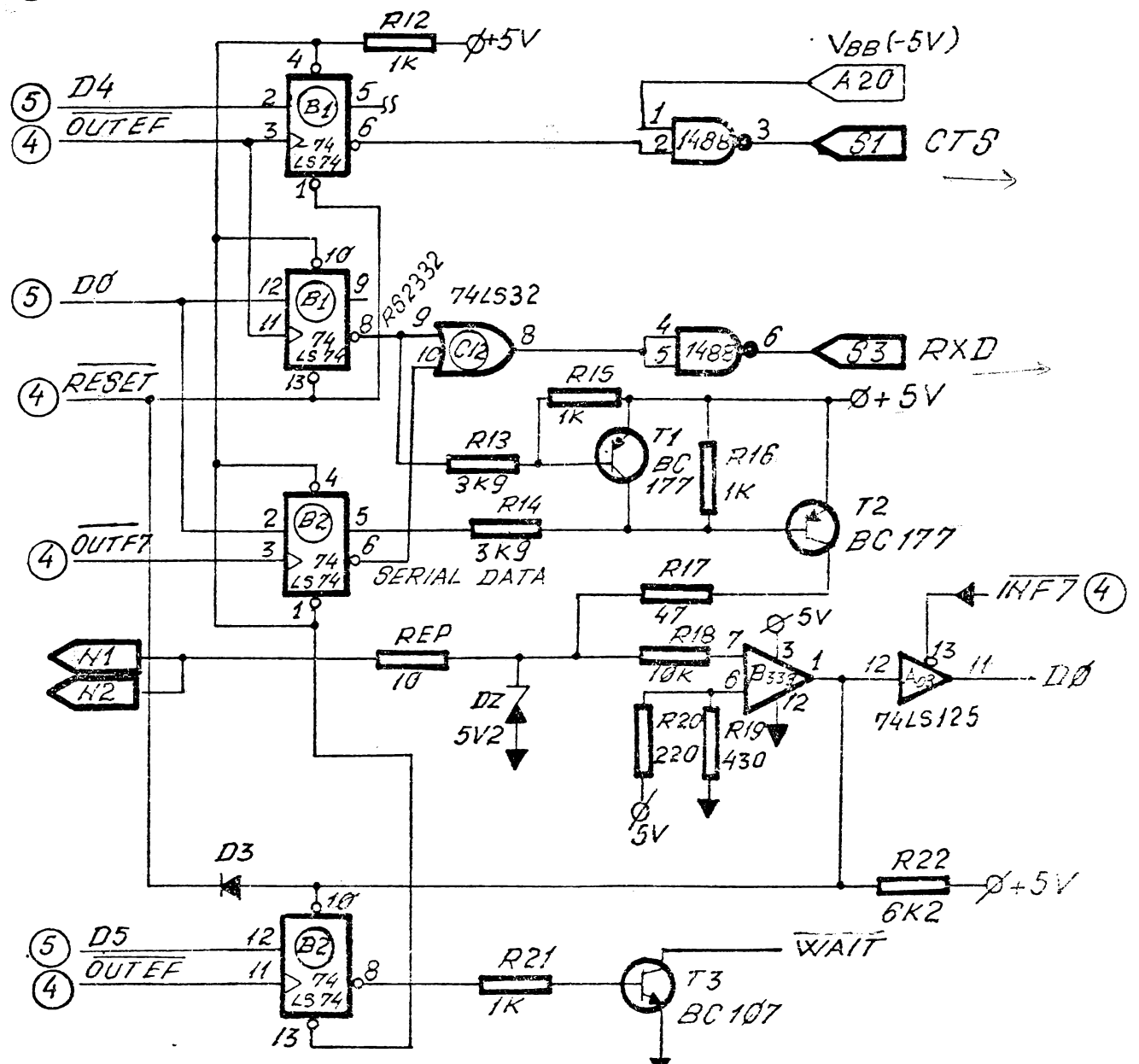
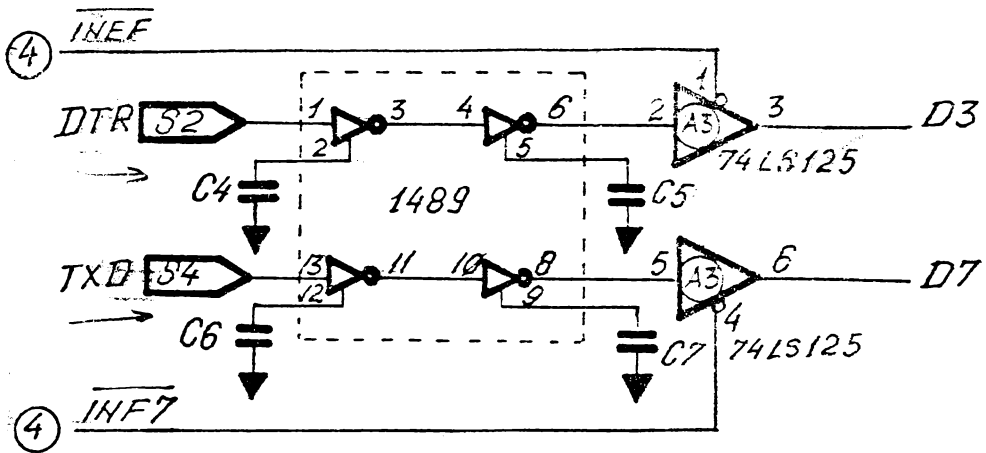
EXT-F LOGIC DIAGRAMS		EXT-F
ICE	REV B	869400845
		FILA 1/5



M SLK

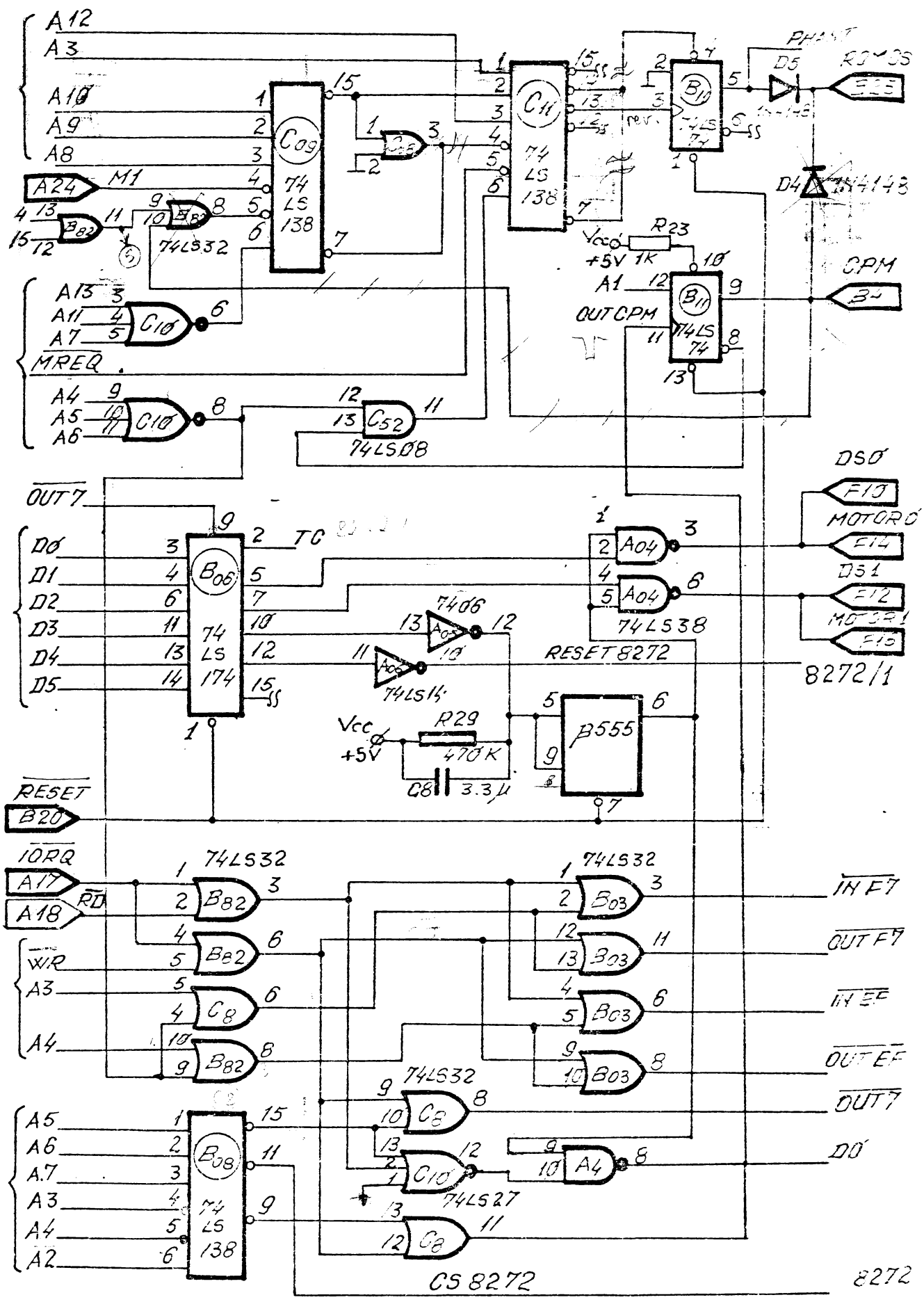
82A-FAE

EXTF-LOGIC DIAGRAMS			REV
ICE	REV R	869400845	2/5

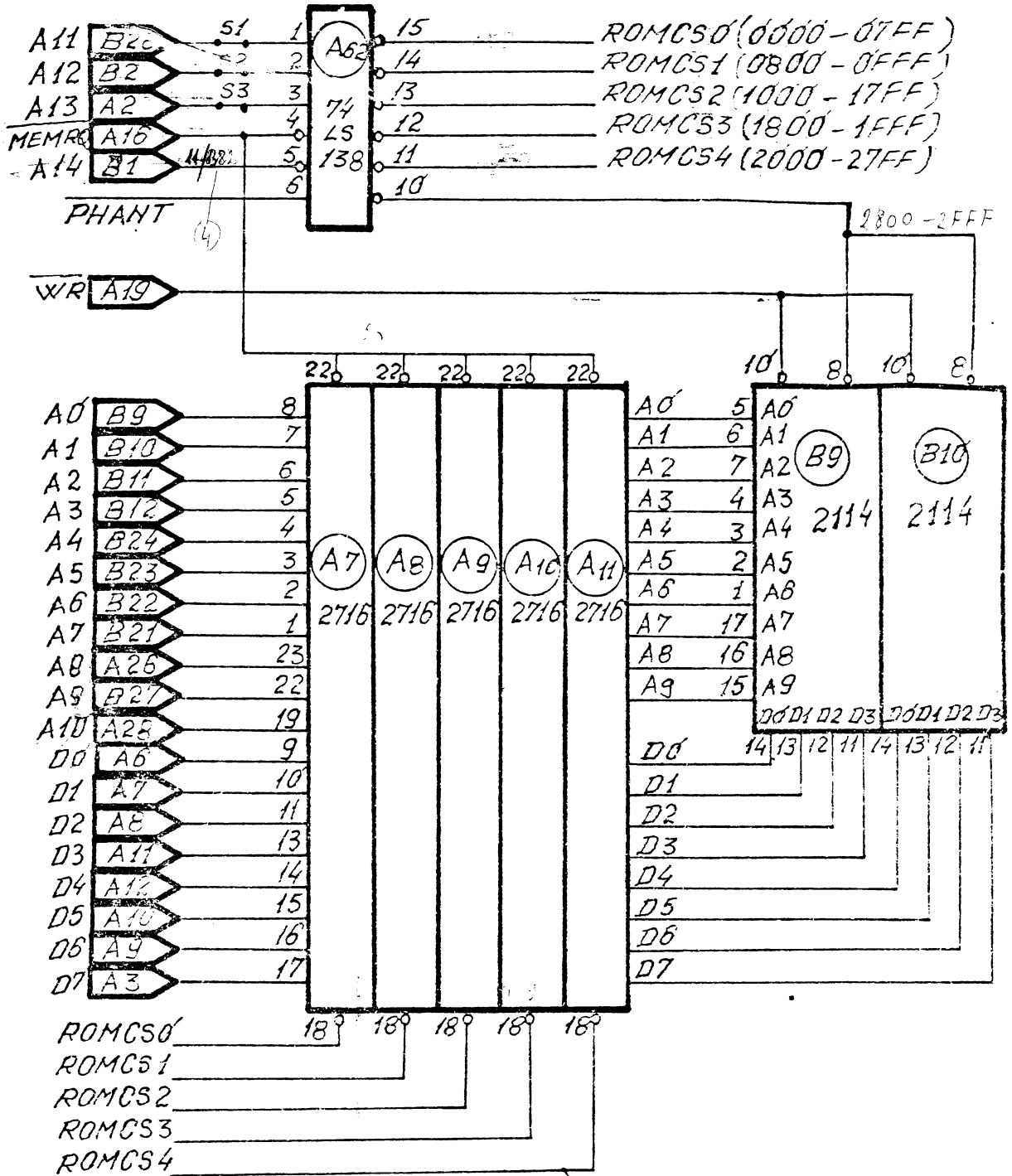


NOTA: S1-S9 conector CANON 9 pini 'mamã' (RS232)
 A1-A28, B1-B28 edge conector extensie

EXTIF-LOGIC DIAGRAMS			EXTIF
ICE	REV	869400845	
	B		3/5



EXTF-LOGIC DIAGRAMS			EXTF
ICE	REV B	869400345	FILE 4/5



NOTA: A1-A28, B1-B28 edge connector extensie

EXTF-LOGIC DIAGRAMS		EXTF
ICE	REV 3	85910845
		5/5